

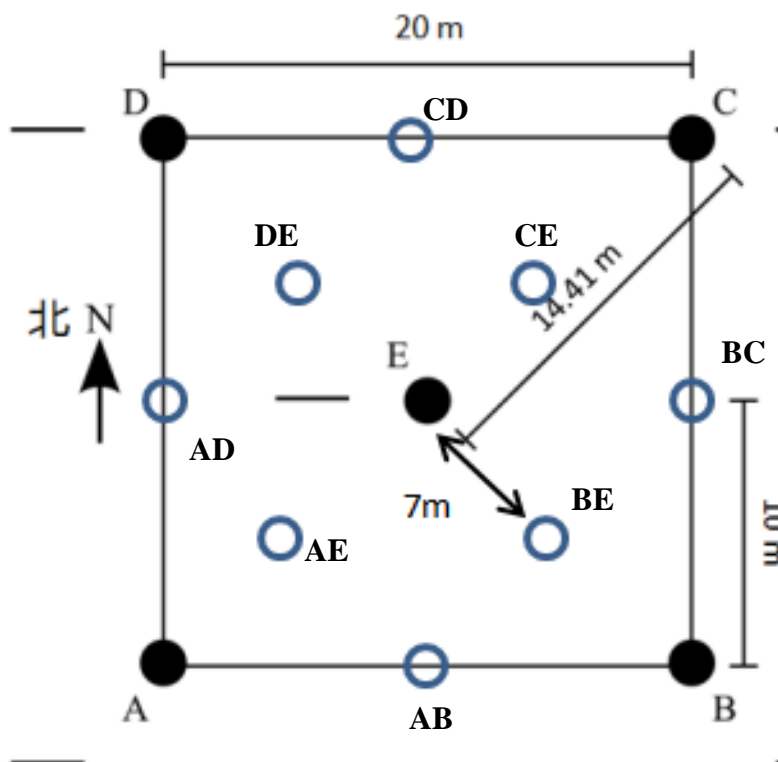
Plot ID: _____

Fanjingshan Forest Survey Datasheet

Fanjingshan Nature Reserve – 2015

Surveyor :	_____
Weather:	_____
Date:	_____ / _____ / 2015
	Month Day Year
Starting Time:	_____ : _____ AM PM local
Ending Time:	_____ : _____ AM PM local

Digital Hemispherical Photography Plot



Plot ID: _____

GPS Measurements

GPS'ed Point (A)	PDOP: _____
Latitude: _____ . _____ ° N	Accuracy: _____ m
Longitude: _____ . _____ ° E	Elevation: _____ m
<hr/>	
GPS'ed Point (B)	PDOP: _____
Latitude: _____ . _____ ° N	Accuracy: _____ m
Longitude: _____ . _____ ° E	Elevation: _____ m
<hr/>	
GPS'ed Point (C)	PDOP: _____
Latitude: _____ . _____ ° N	Accuracy: _____ m
Longitude: _____ . _____ ° E	Elevation: _____ m
<hr/>	
GPS'ed Point (D)	PDOP: _____
Latitude: _____ . _____ ° N	Accuracy: _____ m
Longitude: _____ . _____ ° E	Elevation: _____ m
<hr/>	
GPS'ed Point (E)	PDOP: _____
Latitude: _____ . _____ ° N	Accuracy: _____ m
Longitude: _____ . _____ ° E	Elevation: _____ m
<hr/>	

Plot ID: _____

GPS Measurements

GPS'ed Point (AB)	PDOP: _____
Latitude: _____ . _____ ° N	Accuracy: _____ m
Longitude: _____ . _____ ° E	Elevation: _____ m
GPS'ed Point (BC)	PDOP: _____
Latitude: _____ . _____ ° N	Accuracy: _____ m
Longitude: _____ . _____ ° E	Elevation: _____ m
GPS'ed Point (CD)	PDOP: _____
Latitude: _____ . _____ ° N	Accuracy: _____ m
Longitude: _____ . _____ ° E	Elevation: _____ m
GPS'ed Point (AD)	PDOP: _____
Latitude: _____ . _____ ° N	Accuracy: _____ m
Longitude: _____ . _____ ° E	Elevation: _____ m
GPS'ed Point (AE)	PDOP: _____
Latitude: _____ . _____ ° N	Accuracy: _____ m
Longitude: _____ . _____ ° E	Elevation: _____ m
GPS'ed Point (BE)	PDOP: _____
Latitude: _____ . _____ ° N	Accuracy: _____ m
Longitude: _____ . _____ ° E	Elevation: _____ m
GPS'ed Point (CE)	PDOP: _____
Latitude: _____ . _____ ° N	Accuracy: _____ m
Longitude: _____ . _____ ° E	Elevation: _____ m
GPS'ed Point (DE)	PDOP: _____
Latitude: _____ . _____ ° N	Accuracy: _____ m
Longitude: _____ . _____ ° E	Elevation: _____ m

Plot ID: _____

Vegetation- G: ground cover ; M: midstory cover; O: overstory cover

Type	Chinese Name	% Cover	Type	Chinese Name	% Cover	Type	Chinese Name	% Cover
G			M			O		
G			M			O		
G			M			O		
G			M			O		
G			M			O		
G			M			O		
G			M			O		

Notes:

Plot ID: _____

Measurements and Observations

Slope: _____ °	Aspect: _____ °
----------------	-----------------

Distance to average tree: _____ m	Angle to top: _____ °	Angle to bottom: _____ °
Tree	UPHILL / DOWNHILL	from observer
Estimated canopy height: _____		

Notes on slope/aspect and canopy height determination:

Signs of human presence (wood collection, lopping of trees, livestock, etc.):

Signs of monkey presence: Yes Maybe No
